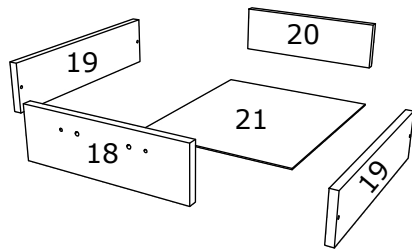
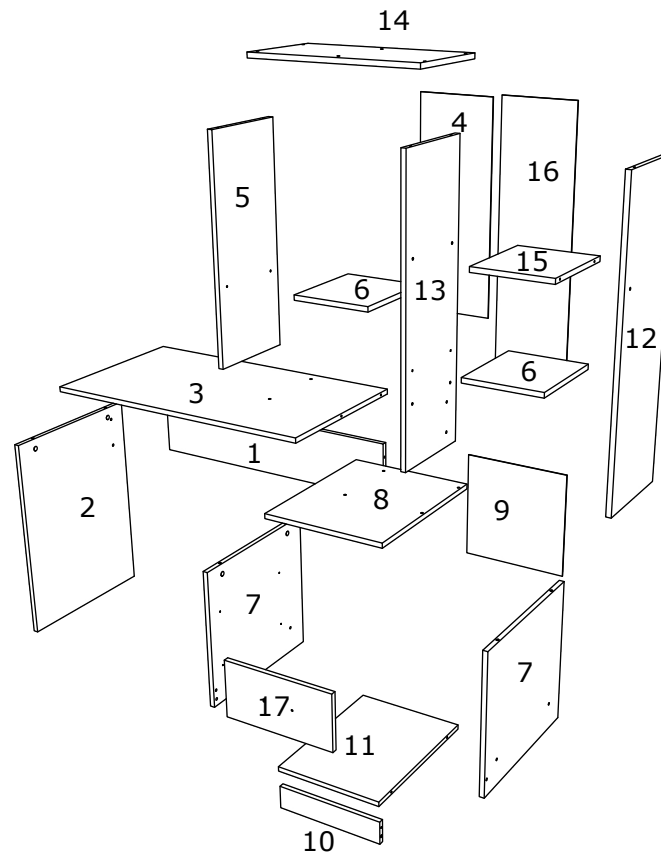
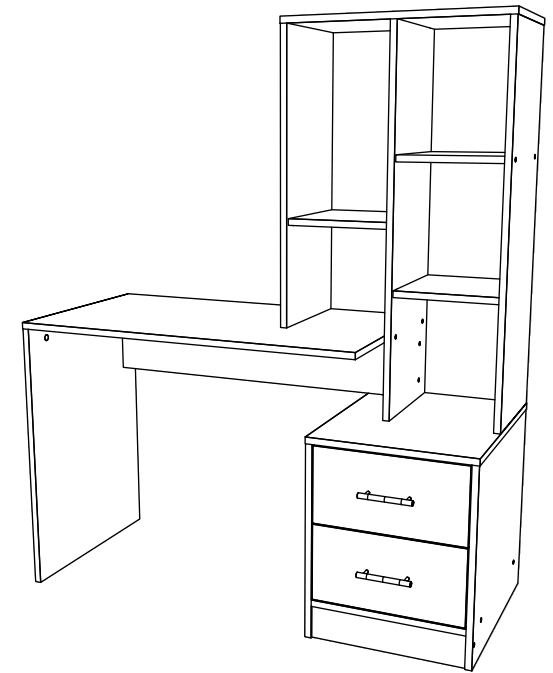
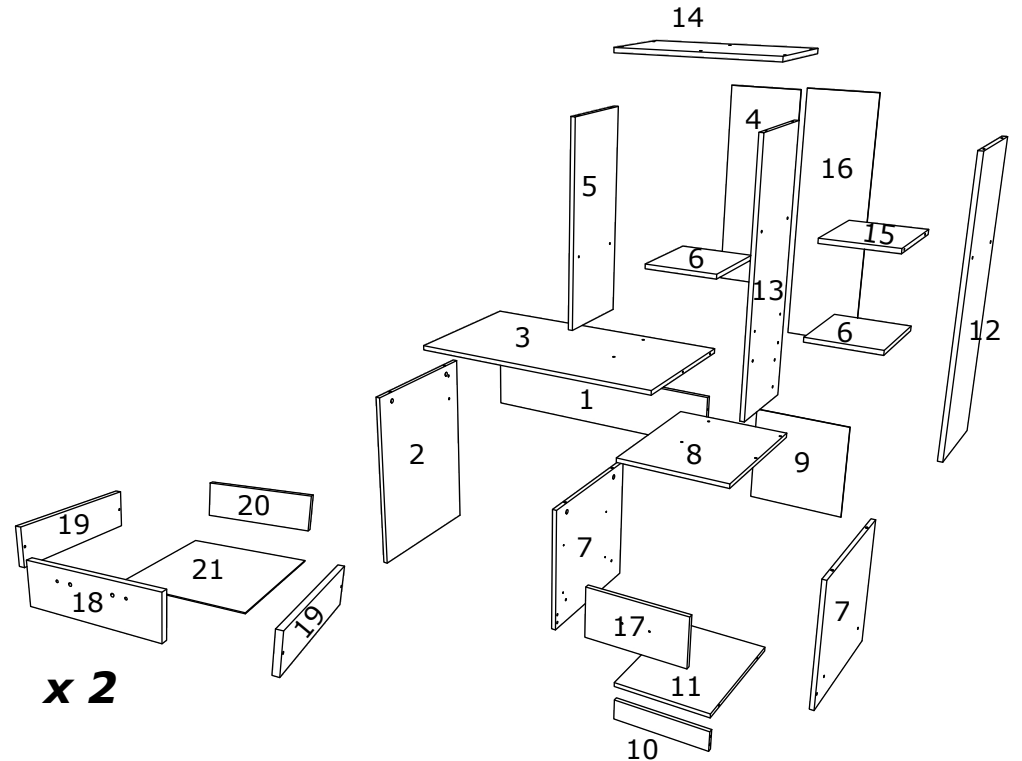
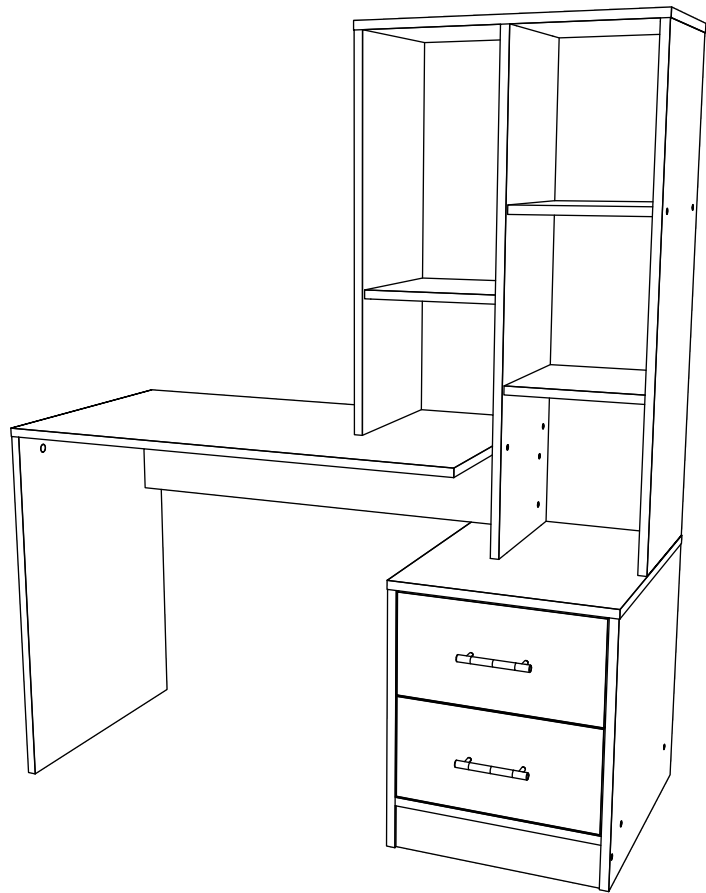


EN

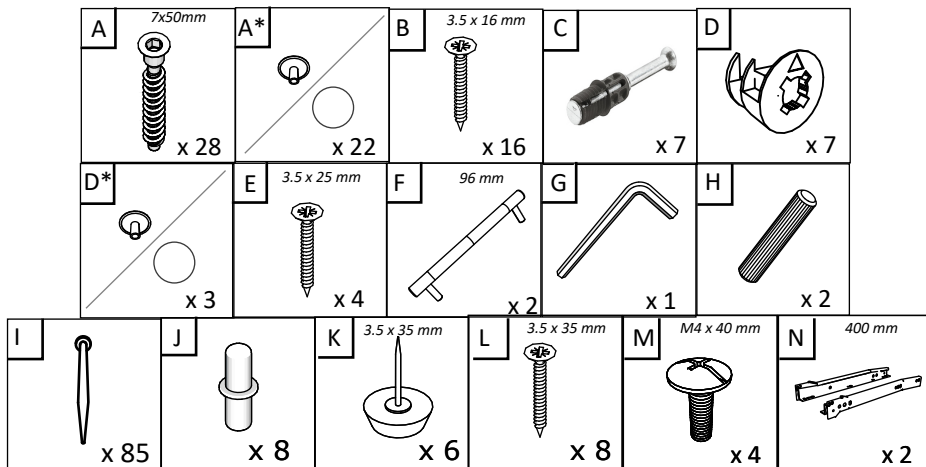
NUMBER	LENGTH	WIDTH	PCS	COLOUR
1	871	190	1	COLOUR1
2	680	500	1	COLOUR1
3	888	502	1	COLOUR1
4	746	272	1	BACK PANEL
5	718	300	1	COLOUR1
6	290	251	2	COLOUR1
7	474	500	2	COLOUR1
8	500	402	1	COLOUR1
9	399	396	1	BACK PANEL
10	368	80	1	COLOUR1
11	500	368	1	COLOUR1
12	924	300	1	COLOUR1
13	924	300	1	COLOUR1
14	552	300	1	COLOUR1
15	290	251	1	COLOUR1
16	945	272	1	BACK PANEL
17	364	186	2	COLOUR1
18	311	100	2	COLOUR1
19	400	100	4	COLOUR1
20	311	100	2	COLOUR1
21	400	343	2	BACK PANEL



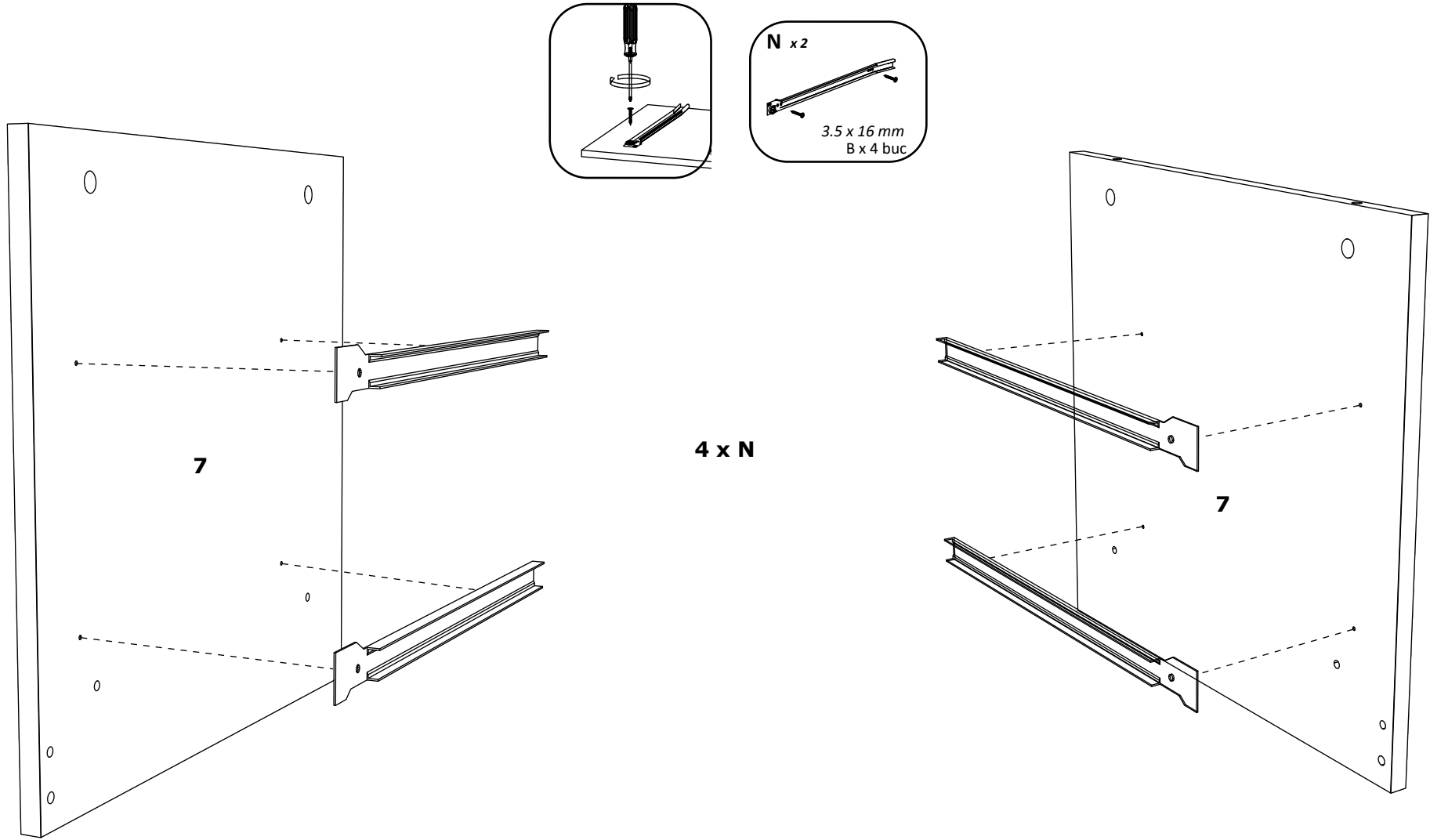
x 2

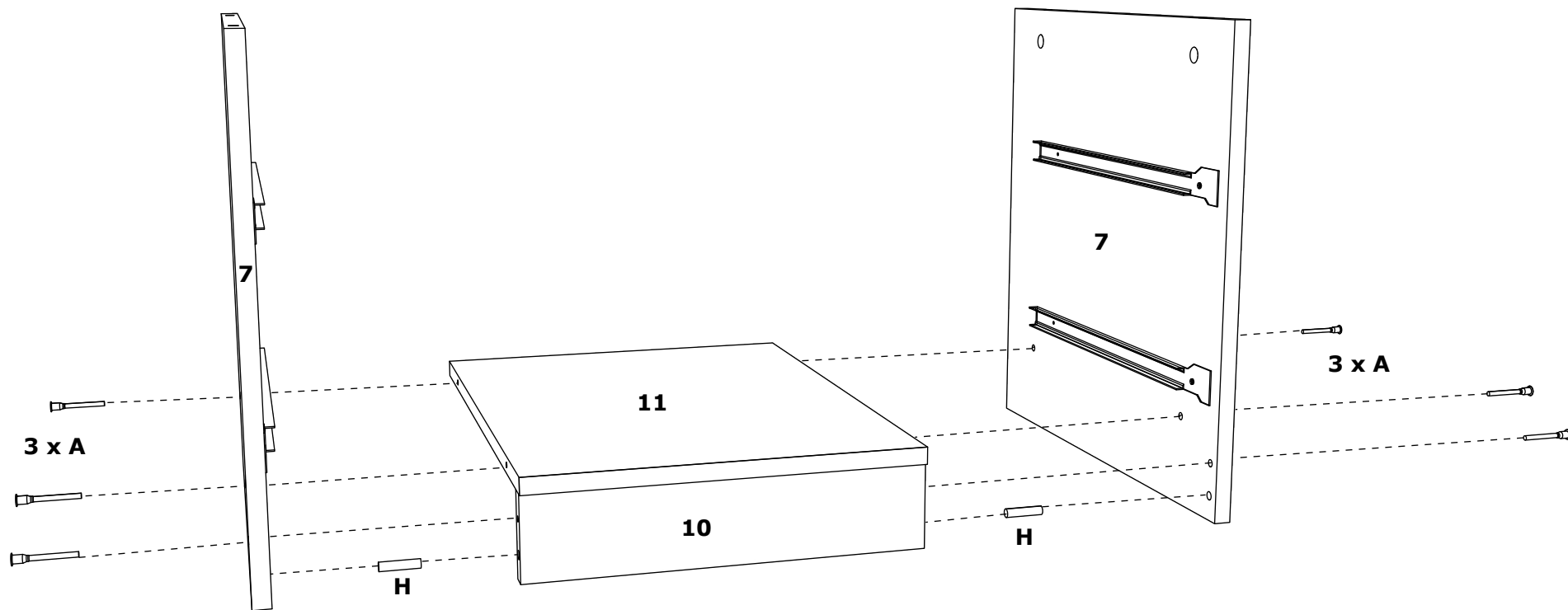
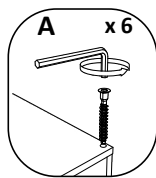


x 2

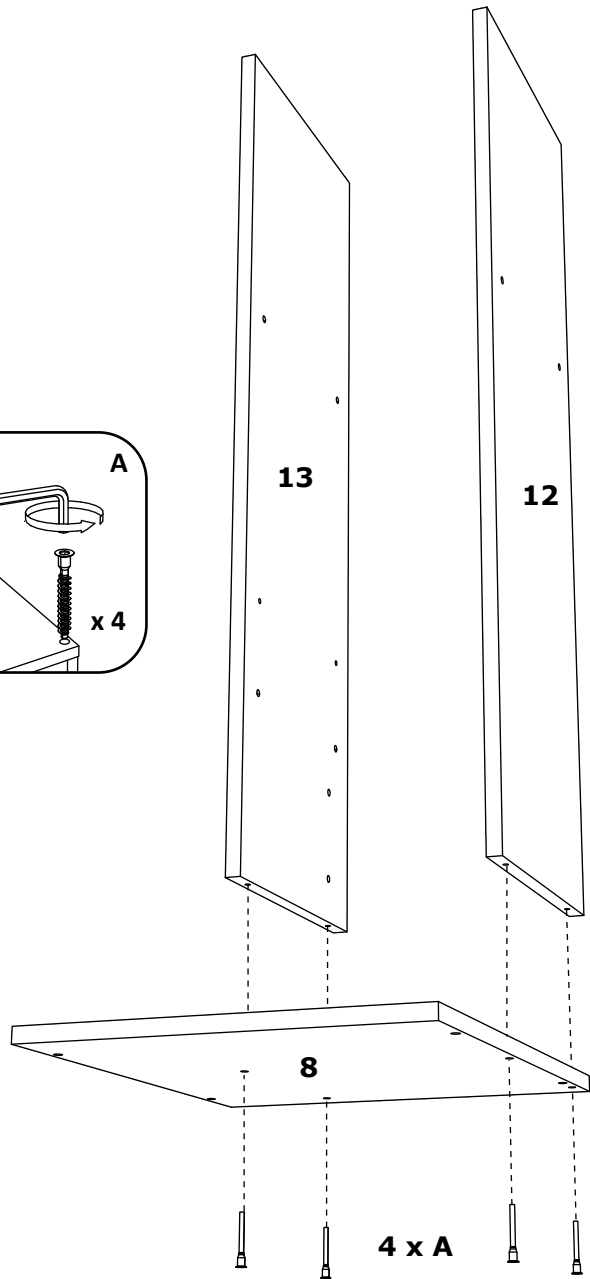
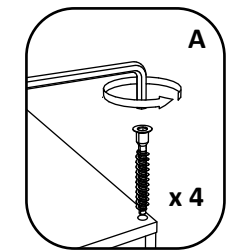


NUMBER	LENGTH	WIDTH	PCS	COLOUR
1	871	190	1	COLOUR1
2	680	500	1	COLOUR1
3	888	502	1	COLOUR1
4	746	272	1	BACK PANEL
5	718	300	1	COLOUR1
6	290	251	2	COLOUR1
7	474	500	2	COLOUR1
8	500	402	1	COLOUR1
9	399	396	1	BACK PANEL
10	368	80	1	COLOUR1
11	500	368	1	COLOUR1
12	924	300	1	COLOUR1
13	924	300	1	COLOUR1
14	552	300	1	COLOUR1
15	290	251	1	COLOUR1
16	945	272	1	BACK PANEL
17	364	186	2	COLOUR1
18	311	100	2	COLOUR1
19	400	100	4	COLOUR1
20	311	100	2	COLOUR1
21	400	343	2	BACK PANEL

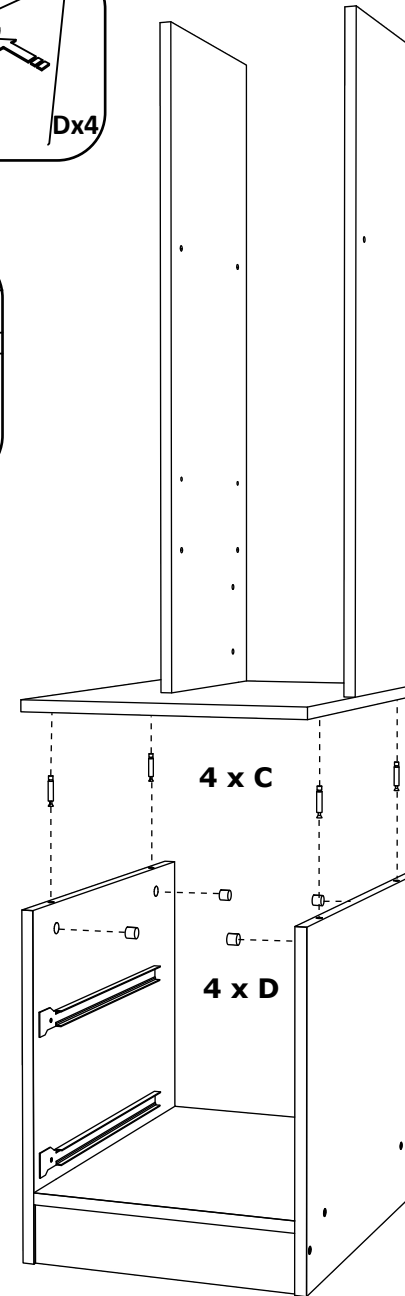
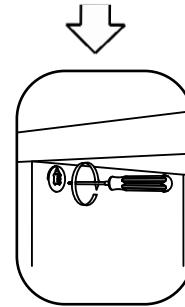
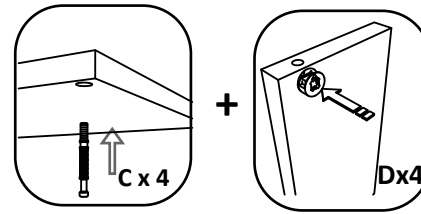




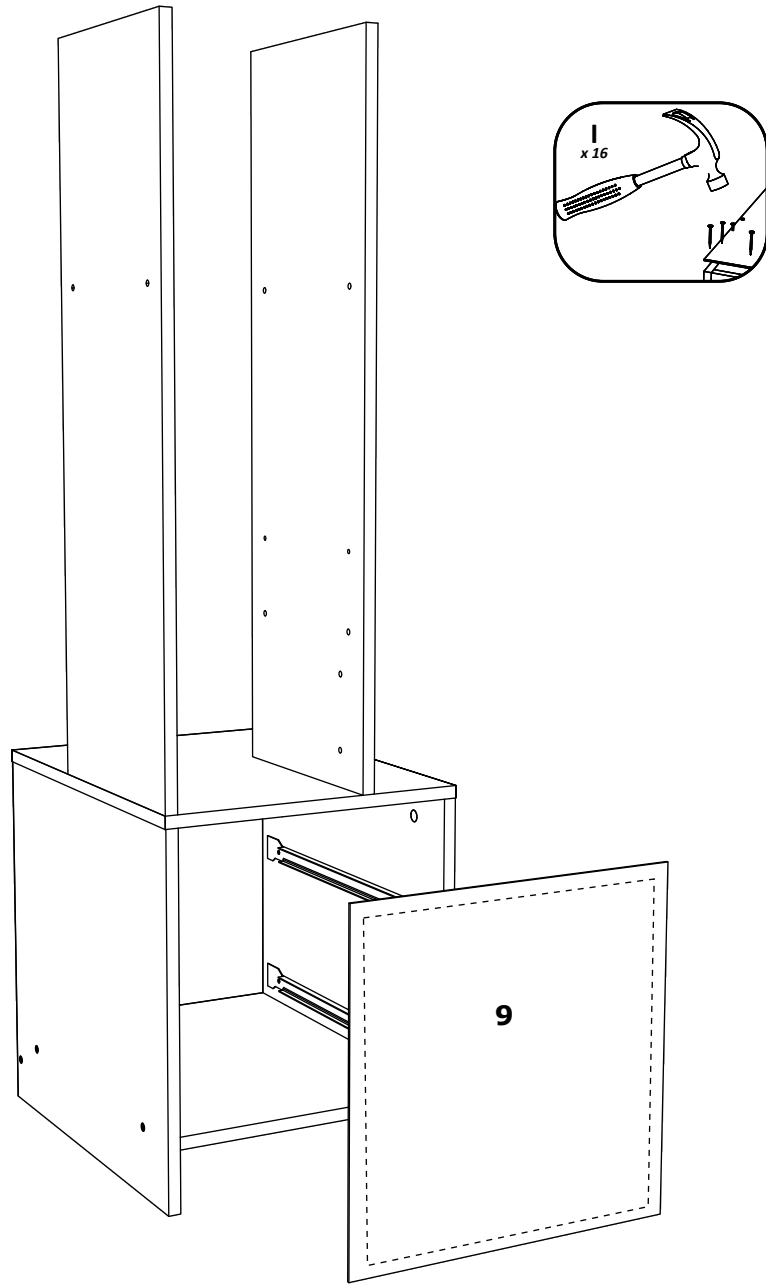




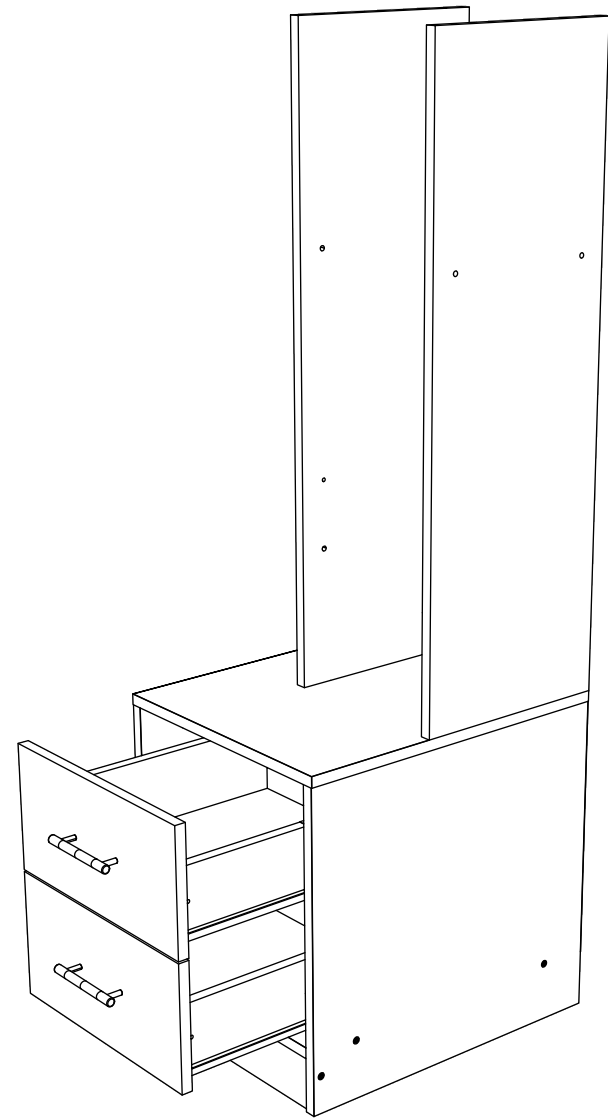
8



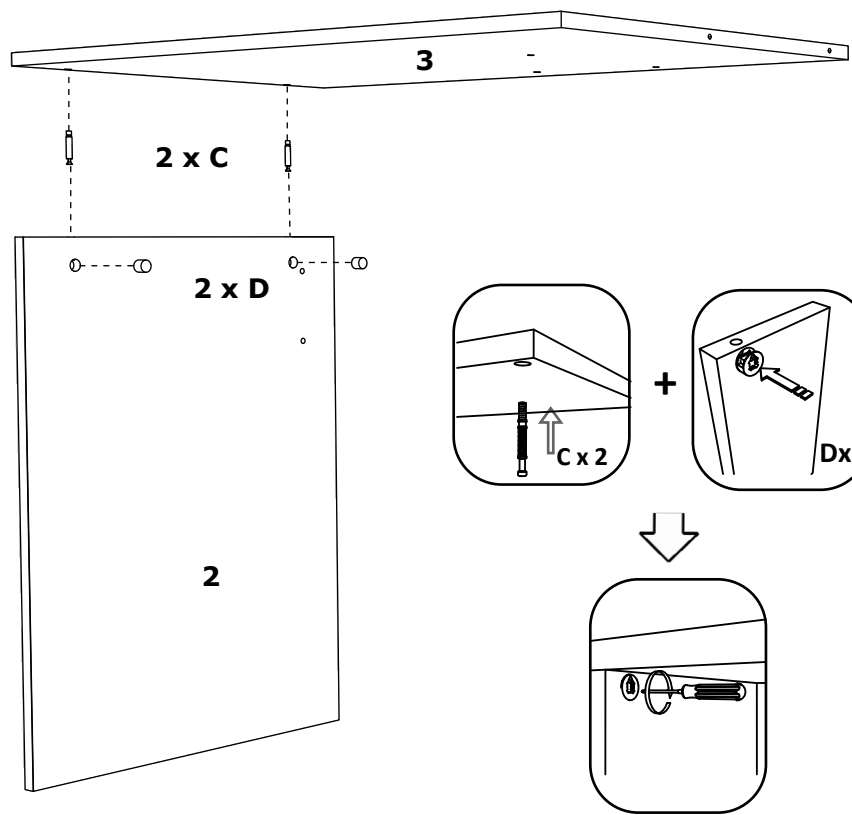
9



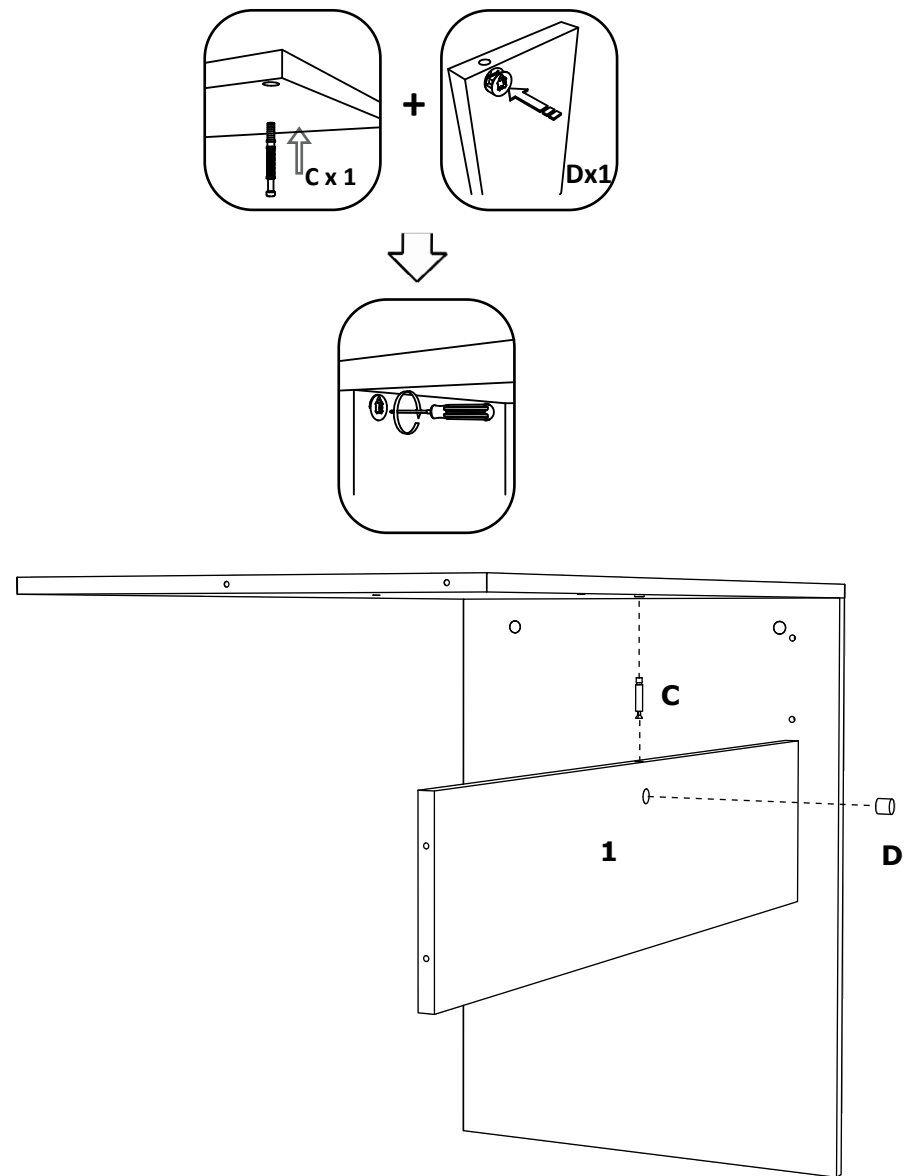
10



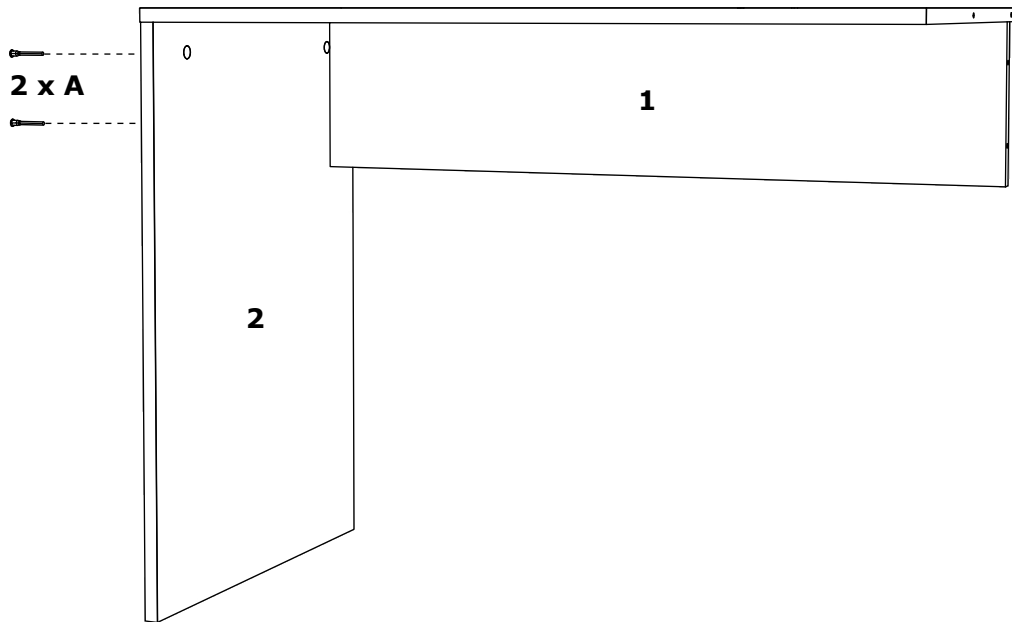
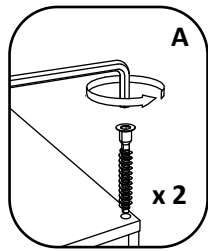
11



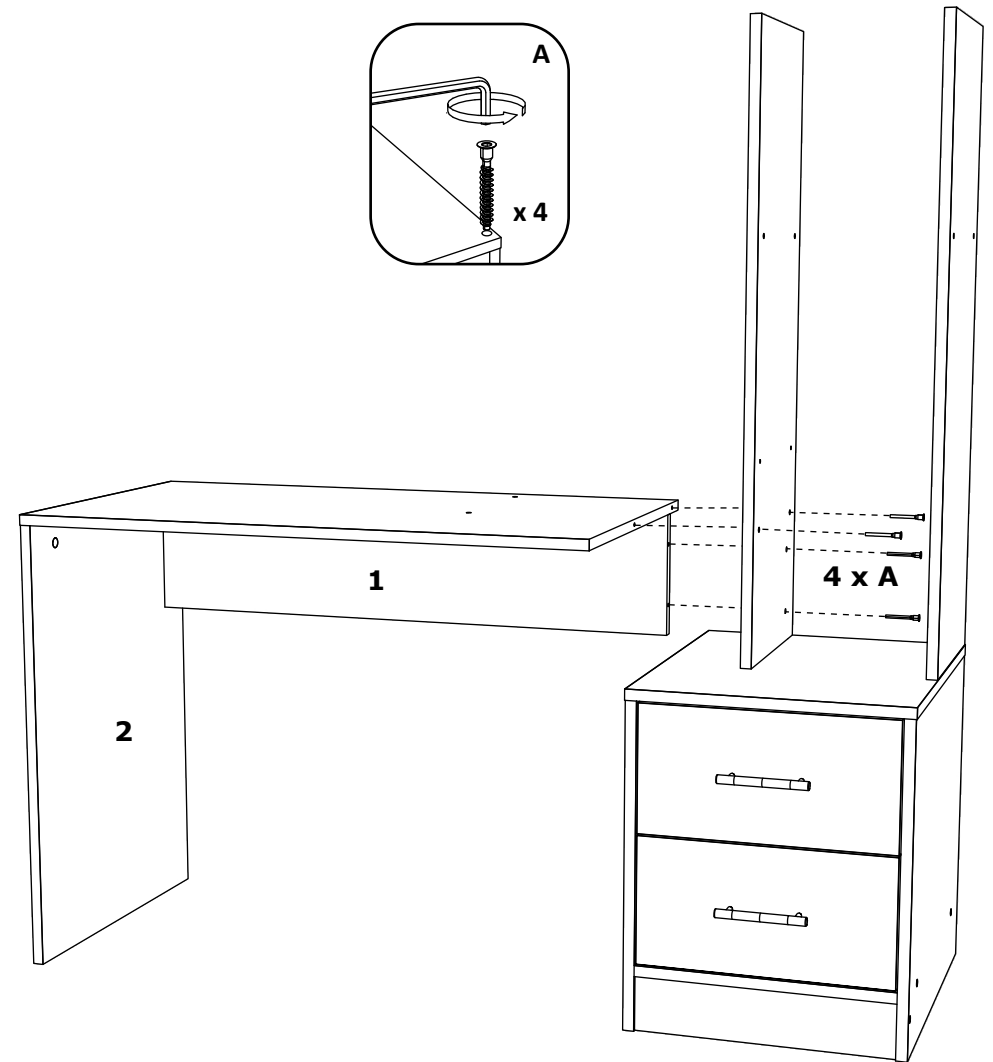
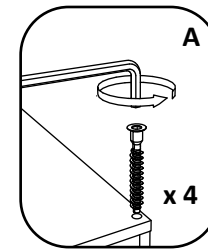
12



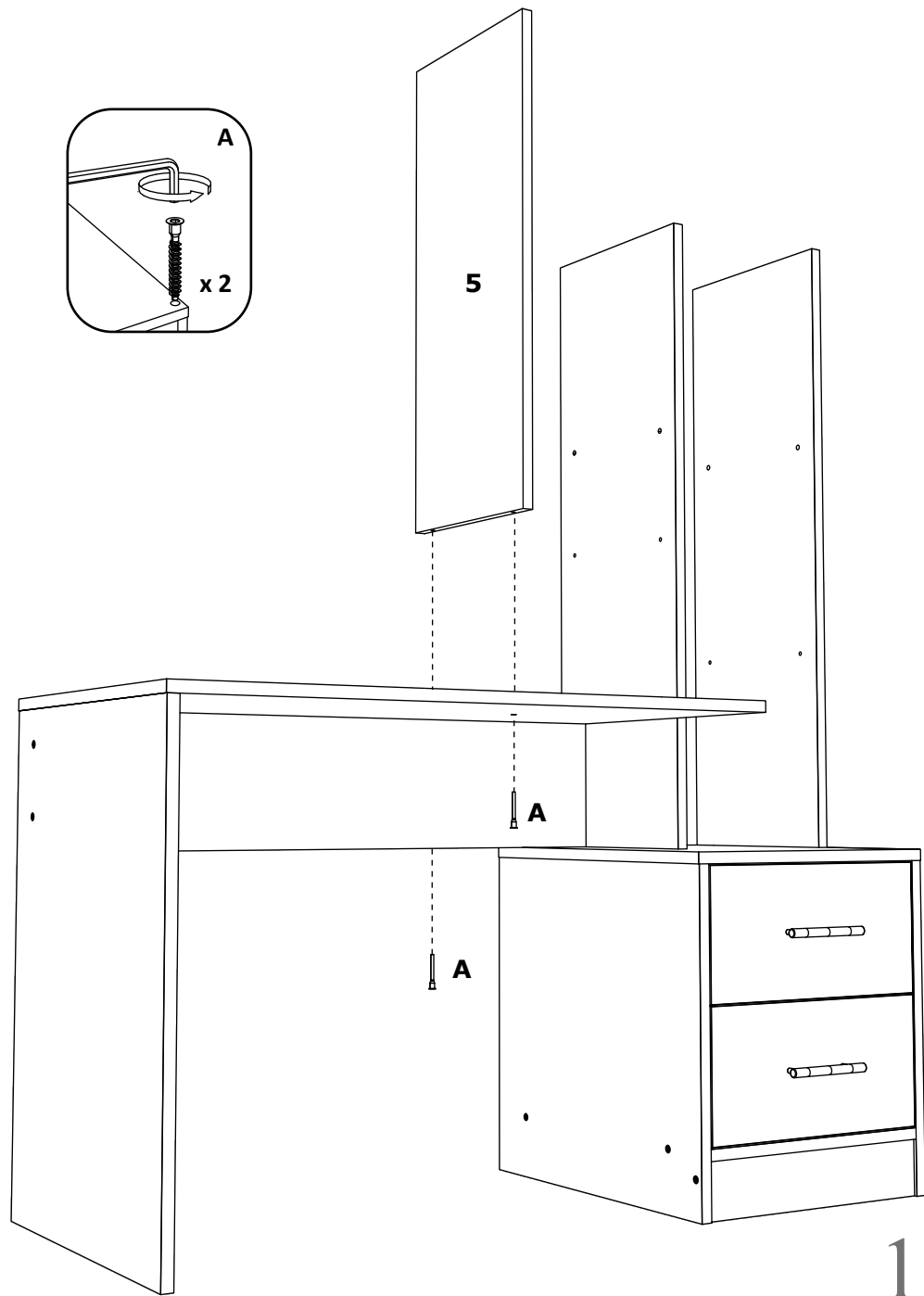
13



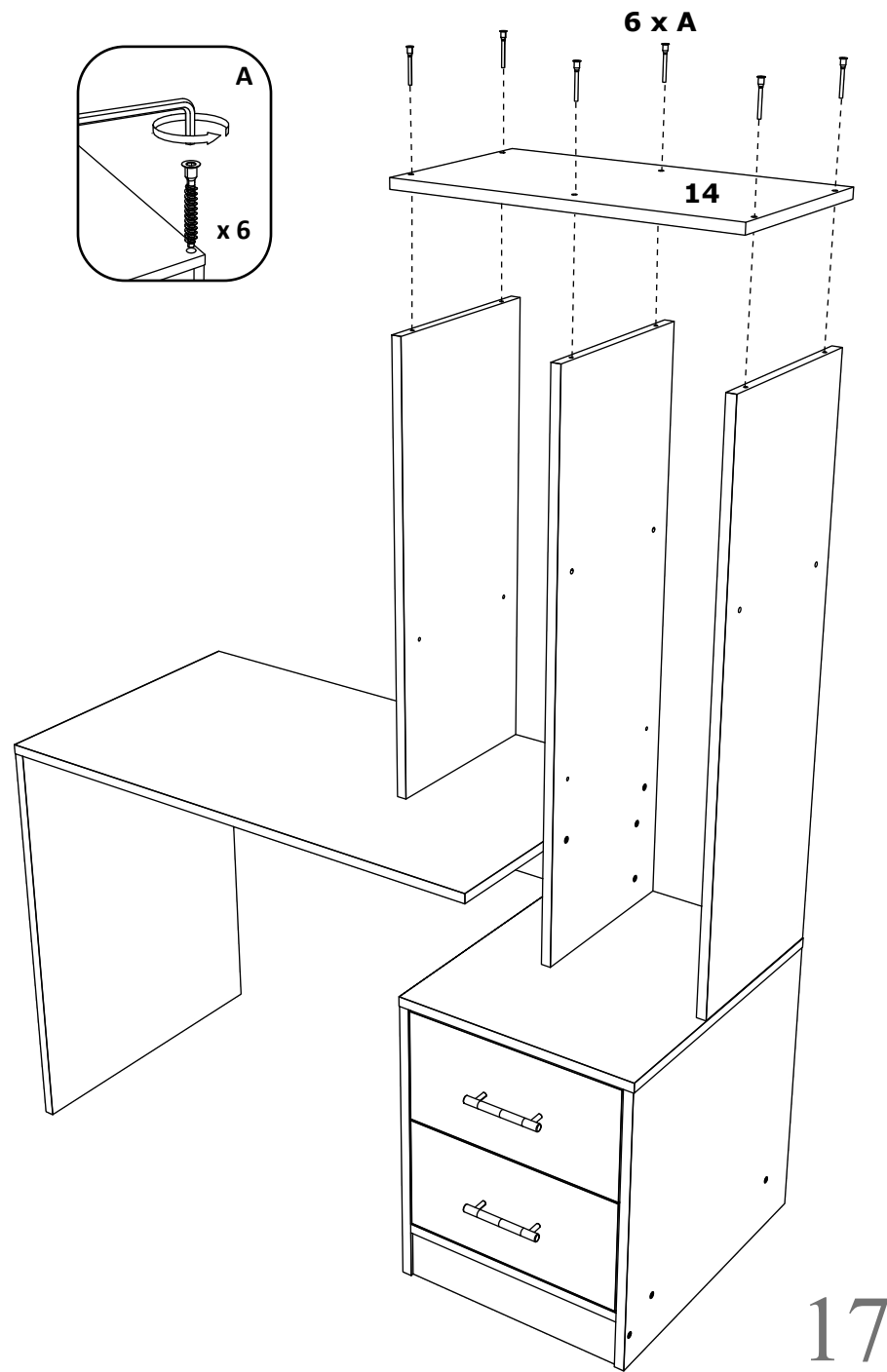
14



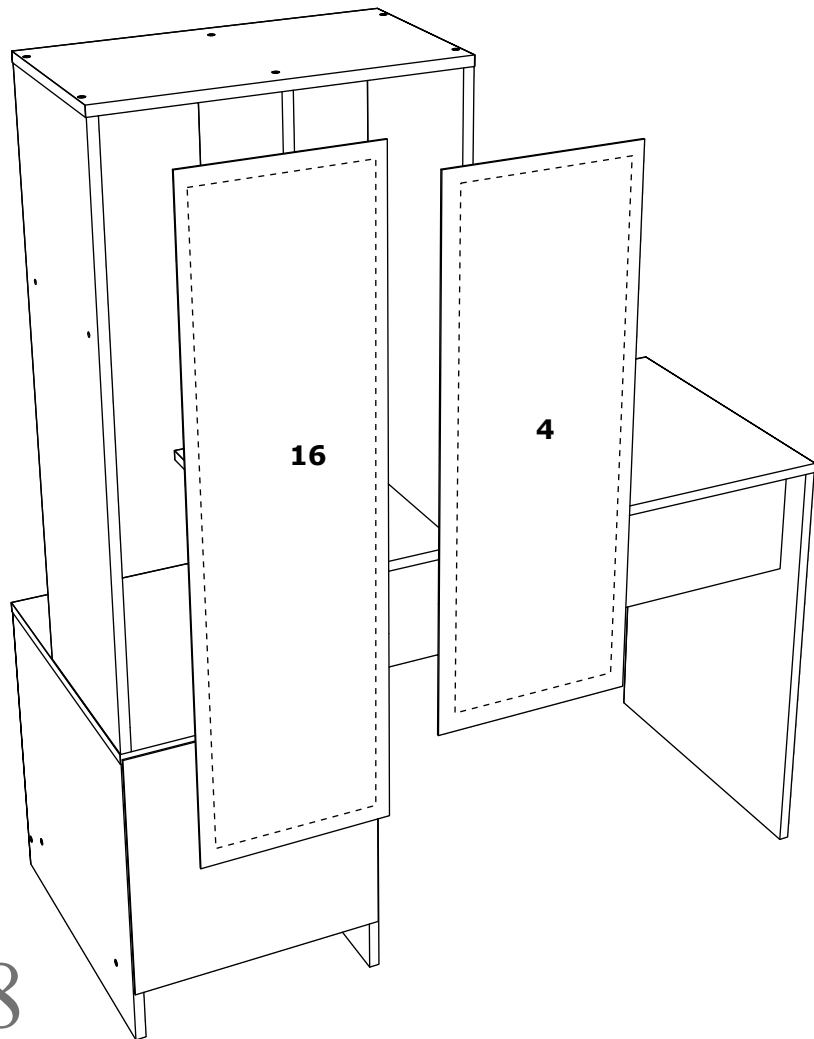
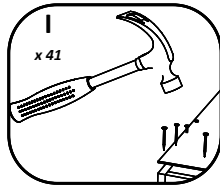
15



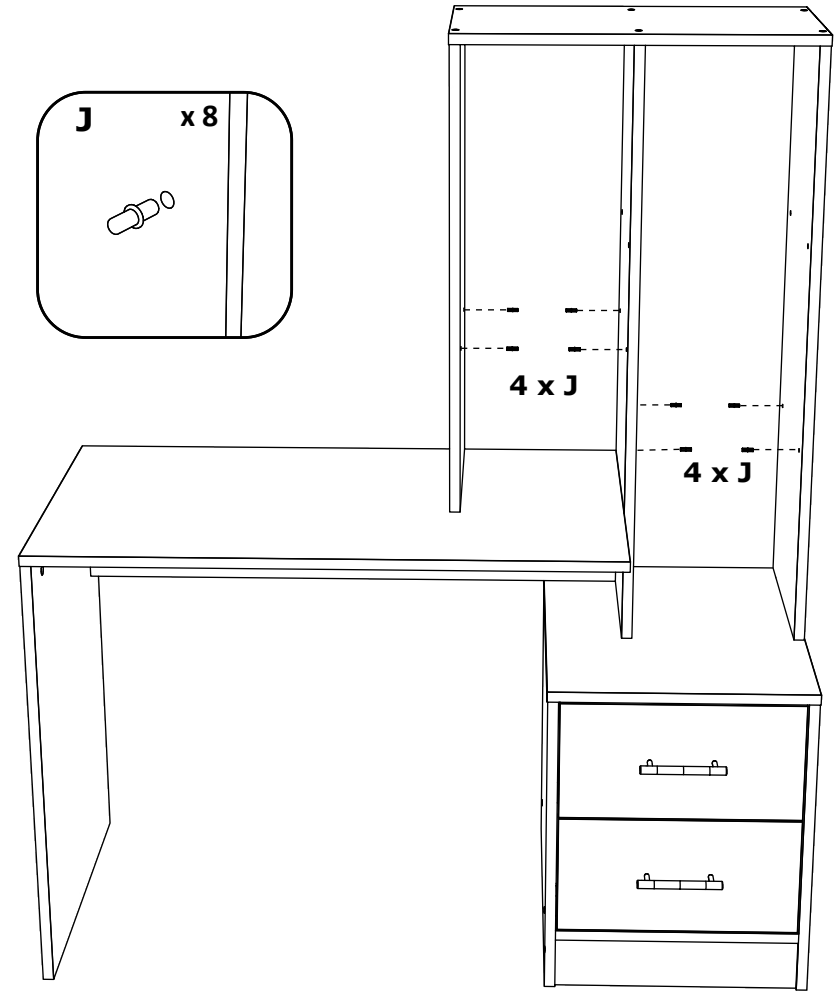
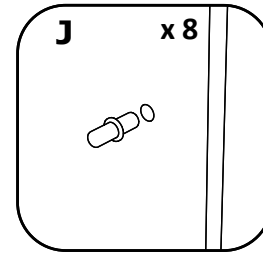
16



17



18



19

